

Innovative Technology XT50/100 models, surge protective device



Introduction

Since 1980, Eaton's Innovative Technology® has provided surge protective devices (SPDs) to power quality equipment users around the world. Whatever your electrical surge protection need may be, Eaton's Innovative Technology has a surge protective device to fill it.

General features

- Parallel configured, hardwire connected, SPD
- Peak surge current—
 - XT50: 50 kA
 - XT100: 100 kA
- Application—Medium and low exposure level AC power service entrances, branch panels, and/or individual equipment disconnects feeding all types of loads
- Warranty—Five year free replacement
- Unit listings—UL®1449 Third Edition; permanently connected; Type 1 and 2; CSA® marked
- Nominal discharge current—20 kA
- Short-circuit current rating—100 kA
- CE Compliant to IEC 61643-1 Test Classification I and II

- Vibration tested to IEC 60255-21-1 and -2
- Manufacturer qualifications—ISO® 9001:1994 Quality System Certification BSI FM 30833

Mechanical and electrical features

- Enclosure—NEMA® 4X (IP56) polycarbonate weatherproof enclosure (meets or exceeds NEMA 1, 2, 4, 4X, 12, and 13)
- Mounting—Threaded conduit fitting and multi-point case mounting holes (external mounting feet available separately)
- Connection—#10 (6 mm²) stranded wire
- Weight—≈2.0 lbs (1.0 kg)
- Operating temperature—-13 to 140°F (-25 to 60°C)
- Protection—All modes
- Input power frequency—47–420 Hz (50/60 Hz typical)
- Diagnostics—LED indicators, one per phase, normally ON

Optional features and equipment

- External mounting feet

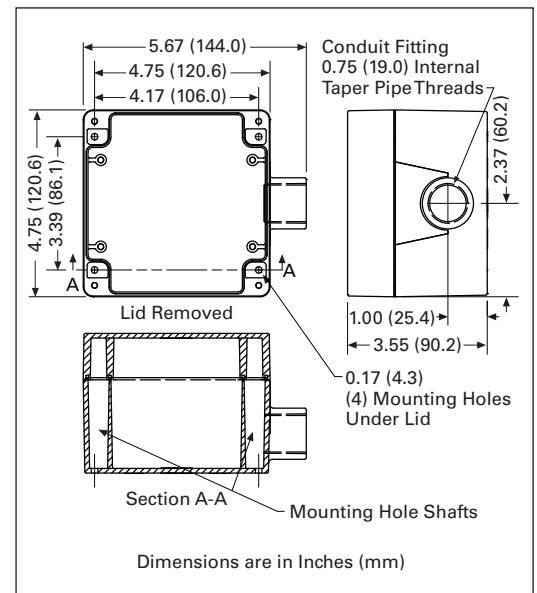


Figure 1. Standard Dimensions



Powering Business Worldwide

Table 1. XT50/100 Voltage Ratings

Model	System Configuration	Nominal System Voltage	MCOV				UL 1449-3 VPR ①				
			L-L	L-N	L-G	N-G	L-L	L-N	L-G	N-G	
XT50											
1P101	Single-phase two-wire + ground	200, 208, 220, 230, 240, 277	—	320	640	320	—	1200	1200	1200	
1P400	Single-phase two-wire + ground	380, 400, 440, 460, 480	—	550	1100	550	—	1800	4000	1800	
1S101	Split-phase three-wire + ground	100/200, 110/220, 120/240	300	150	300	150	1200	700	1200	800	
3Y101	Three-phase wye (star) four-wire + ground	100/175, 110/190, 120/208, 127/220	300	150	300	150	1200	700	1200	800	
3Y201	Three-phase wye (star) four-wire + ground	220/380, 230/400, 240/415, 277/480	640	320	640	320	2500	1200	2000	1200	
3Y300	Three-phase wye (star) four-wire + ground	305/525, 347/600	840	420	840	420	2500	1500	2500	1500	
NN201	Three-phase delta three-wire + ground	200, 208, 220, 230, 240	640	—	320	—	2000	—	1200	—	
3D101	Three-phase high leg delta	240	300	150	150	640	1500	700	1200	700	
NN400	Three-phase delta three-wire + ground	380, 400, 415, 440, 480	1100	—	550	—	3000	—	1800	—	
600D	Three-phase delta three-wire + ground	525, 600	1100	—	700	—	3000	—	2500	—	
XT100											
1P101	Single-phase two-wire + ground	200, 208, 220, 230, 240, 277	—	320	320	320	—	1200	1200	1200	
1P400	Single-phase two-wire + ground	380, 400, 440, 460, 480	—	550	550	550	—	1800	1800	1800	
1S101	Split-phase three-wire + ground	100/200, 110/220, 120/240	300	150	150	150	1200	700	800	700	
3Y101	Three-phase wye (star) four-wire + ground	100/175, 110/190, 120/208, 127/220	300	150	150	150	1000	600	700	700	
3Y201	Three-phase wye (star) four-wire + ground	220/380, 230/400, 240/415, 277/480	640	320	320	320	1800	1200	1200	1200	
3Y300	Three-phase wye (star) four-wire + ground	305/525, 347/600	840	420	420	420	2500	1500	1500	1500	
NN201	Three-phase delta three-wire + ground	200, 208, 220, 230, 240	640	—	320	—	1800	—	1200	—	
3D101	Three-phase high leg delta	240	300	150	150	150	1200	700	700	700	
NN400	Three-phase delta three-wire + ground	380, 400, 415, 440, 480	1100	—	550	—	3000	—	1800	—	

① UL 1449 Third Edition VPR (voltage protection rating) test environment: All tests performed with 6-inch lead length, positive polarity.

Product ordering guidelines

Table 2. Catalog Numbering System

