



**COMPONENT
 LEVEL FUSING**

HS Models



GENERAL SPECIFICATIONS

Description: Series or parallel wired, terminal strip connected, Multi-stage hybrid Active Tracking Network (ATN®) sine wave tracking surge protective device

Application: Dedicated AC and DC power circuits operating at 5-275 VAC/5-300 VCD, ≤10 Amps, feeding variable speed drives, variable frequency drives, process controllers, PLCs, power supplies, micro-processor based loads, CNCs and a wide variety of other mission critical and general purpose loads

Warranty: Ten-Year Free Replacement

Unit Listings: Recognized components under UL1449 Second Edition (certain models, see table other side), UL1283 filter, CSA

Manufacturer Qualifications: ISO 9001:1994 Quality System Certification BSI FM 30833

MECHANICAL SPECIFICATIONS

Enclosure: ABS Plastic UL94-5VA

Connection: Wire clamping box terminals; Minimum 22 AWG (0,34 mm²) wire size – Maximum 12 AWG (4,0 mm²) wire size

Weight: ≈ 1 lb (0.45 kg)

Operating Temperature: -40° F (-40° C) to +140° F (+60° C)

ELECTRICAL/PERFORMANCE SPECIFICATIONS

Protection Modes: All mode: Dedicated L-N (normal mode), Dedicated L-G, N-G (common mode)

Input Power Frequency: 0-64 Hz (AC)

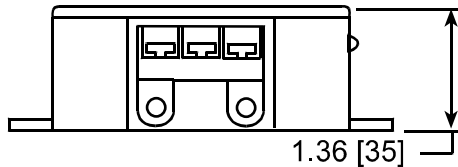
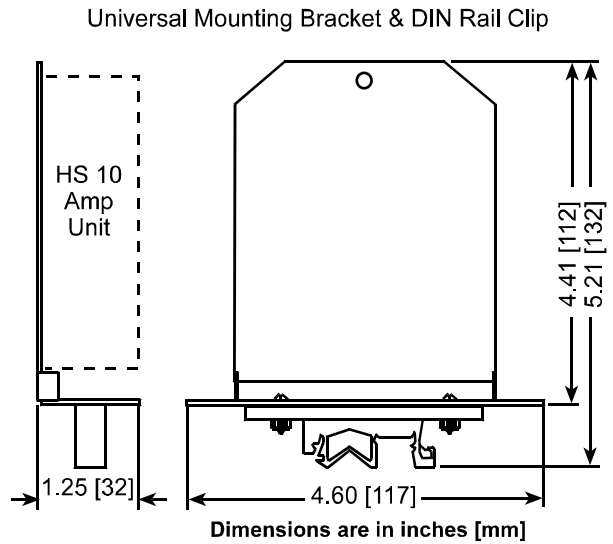
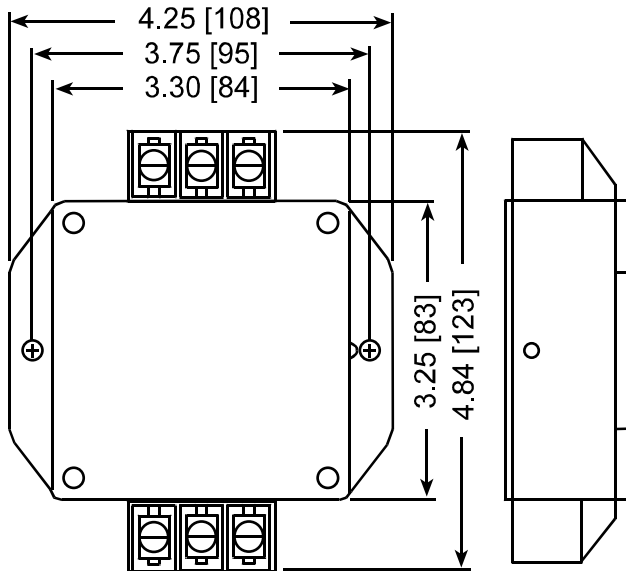
Response Time: Active <1 nanosecond

Maximum EMI/RFI Attenuation – Mil-Std-220

1 kHz	10 kHz	100 kHz	1 MHz	10 MHz	Maximum Attenuation Frequency
0 dB	10 dB	29 dB	31 dB	12 dB	33 dB @ 80 MHz

Maximum Continuous Operating Current: 10 Amps rms up to 250 volts

Short Circuit Current Rating: 200 kAIC when protected by Class R, 10 Amp fuse



Dimensions are in inches [mm]

Available Models	Peak Surge Current	Nominal System Voltage (AC-Vrms,DC-Vpk)	ANSI/IEEE C62.41-1991 Measured Limiting Voltage*			UL SVR
			A1 Ring Wave 2 kV, 67 A 180° Phs Angle	A3 Ring Wave 6 kV, 200 A 90° Phs Angle	B3/C1 Impulse Wave 6 kV, 3 kA 90° Phs Angle	UL 1449-2 Suppressed Voltage Ratings
			L-N L-G, N-G	L-N L-G, N-G	L-N L-G, N-G	L-N L-G, N-G
**HS-24-10A	25 kA	5-30 VAC 5-38 VDC	70 100, 80	120 150, 120	170 210, 220	**N/A
**HS-48-10A	25 kA	24-50 VAC 24-65VDC	80 130, 80	140 170, 150	190 230, 220	**N/A
HS-120-10A	40 kA	48-150 VAC 48-200 VDC	80 150, 80	350 400, 230	480 560, 540	400 400, 400
HS-250-10A	40 kA	120-275 VAC 120-300 VDC	80 140, 80	530 690, 230	830 940, 890	800 800, 800

*Test environment: Positive polarity. HS-24-10A & HS-48-10A tested static, others tested with AC power applied. All units tested at terminals, time base = 1 ms. All measurements referenced from zero volts per NEMA LS-1.

**Underwriters Laboratories (UL®) does not list TVSS products designed to operate below 120 Vrms, static test only, phase angle does not apply.