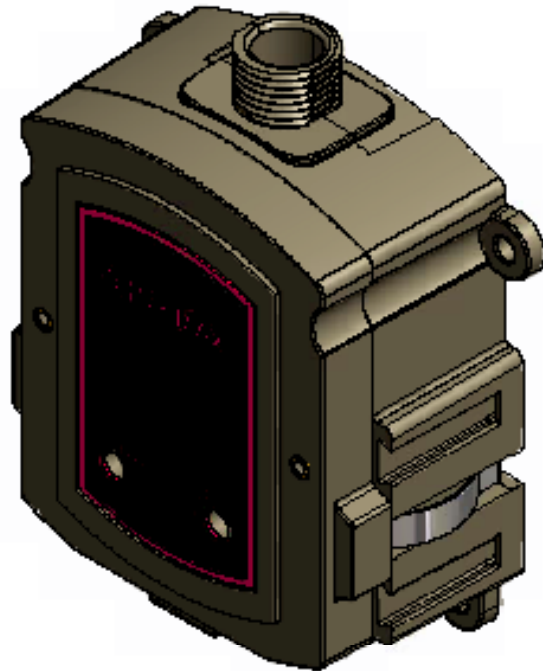




MICRO / MAX / ULTRA ITHP

The Innovative Technology ITHP is designed to protect residential electrical and electronic loads from transients and surge disturbances. The ITHP withstands up to 75kA of surge current per phase. The ITHP is installed adjacent to the electrical load center panel. Optional separate modules for telephone, cable TV, and Ethernet are available and simply connect through a unique snap-on connection. When configured with telco and cable modules, the ITHP offers Innovative Total Home Protection.



FEATURES

- *Compact Design* allows placement even in restricted spaces.
- *LED Suppression Status Indication* provides visual indication of suppressor status.
- *Expandable modules* provide custom-tailored protection for any facility.
- *Weather Proof Enclosure* provides indoor and outdoor installation.
- *Flush-mount Kit* allows installation on recessed panels.
- *Lifetime Warranty* offers unlimited replacement if unit has been damaged or has failed.

Micro ITHP	Max ITHP	Ultra ITHP
20,000 Amps per Phase	50,000 Amps per Phase	75,000 Amps per Phase
\$25,000 Connected Equipment Warranty*	\$50,000 Connected Equipment Warranty*	\$75,000 Connected Equipment Warranty*

* Residential applicaions only. See warranty page for further details.

SPECIFICATIONS

AC MODULE

Circuit Design: Bi-directional, internally fused, parallel connected

Certifications: UL 1449, 2nd Edition Listed

Input Power Frequency: 50 – 420 Hz (60 Hz Nominal)

Response Time: ≤ 1 nanosecond

EMI/RFI Attenuation: Up to 41dB

Protection Modes: All Mode: L-L, L-N, L-G, and N-G

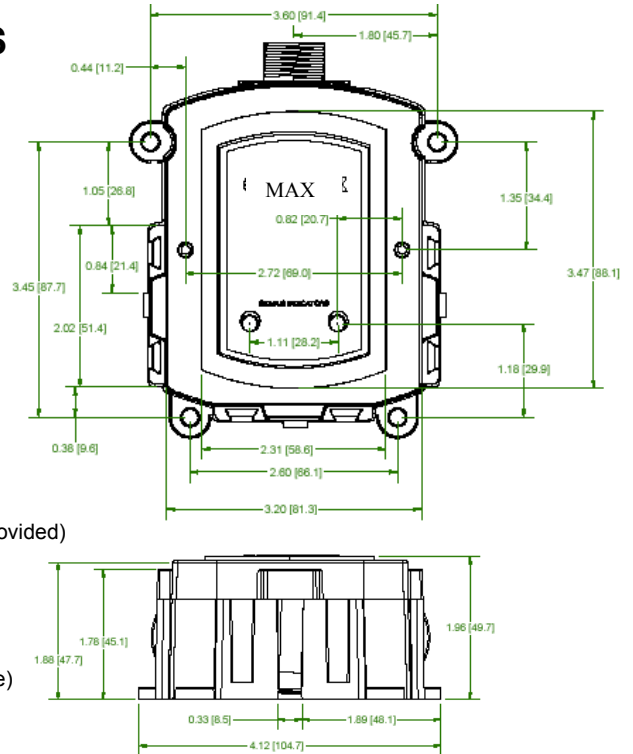
Diagnostics: Super-bright LED indicators, one per phase, normally on

Short Circuit Current Rating : 200kAIC using 30 amp Class R fuses (Not Provided)

Enclosure: Weather-proof indoor/outdoor (Plastic)

Dimensions/weight: 4.5 x 3.6 x 1.9 inches, 3lbs.

Warranty: Limited, lifetime connected equipment warranty (see warranty page)



OPTIONAL SURGECABLE MODULE

Application: Cable TV, satellite, and cable modem

Connection: Female F Type

Surge Current Capacity: 20,000 Amps

Protection Modes: L-G, Shield-G

Frequency Range: DC – 1.5GHz

Impedance: 75 ohms

Dimensions/weight: 4 x 3.8 x 1.7 inches, 2lbs.

OPTIONAL SURGETEL MODULE

Application: Telephone, modem, and DSL lines

Connection: Wire clamping box terminal strips

Surge Current Capacity: 80,000 Amps

Protection Modes: Tip-ring, tip-G and ring-G

Data Rate: Up to 200 kbps

Dimensions/weight: 4 x 3.8 x 1.7 inches, 2lbs.

Model	System Configuration	Nominal System Voltage	ANSI/IEEE C62.41-1991 Measured Limiting Voltage*			UL SVR		
			B3/C1 Impulse 6kV, 3kA 90° Phase Angle			UL 1449-2 Suppressed Voltage Ratings		
			L-L	L-N	L-G	L-L	L-N	L-G
ITHP1S101	Split Phase 3 wire + grnd	120/240	950	550	550	800	400	400

*AC test environment: All modes tested dynamic, positive polarity. Time base = 1 ms. All voltages are peak (± 10%), time base = 1 ms./div. Voltages are measured from zero Volt reference, in accordance with NEMA LS-1. All tests performed with 6" (152.4 mm) lead length, simulating actual installation.

Ordering Information:

L = Micro
 M = Max
 H = Ultra

ITHP1S101 → AC MODULE ONLY
 ITHPSURGETEL → TELCO MODULE ONLY
 ITHPSURGECABLE → CABLE MODULE ONLY
 ITHPFLUSHKT → FLUSHMOUNT KIT